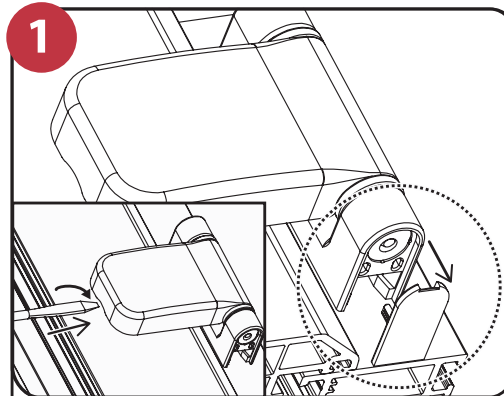
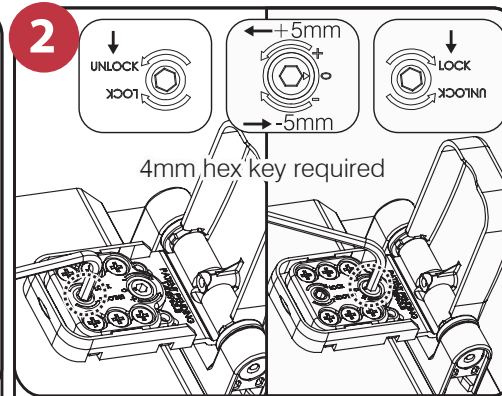


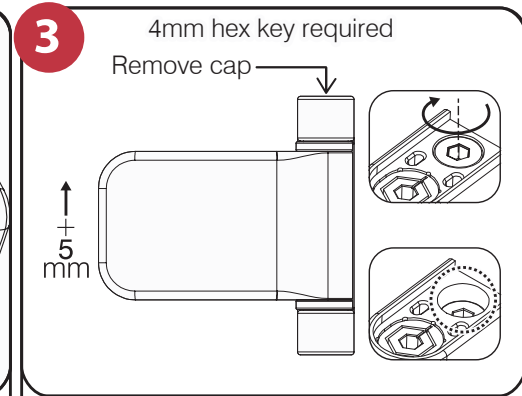
ProSecure Door Hinge Adjustment Instructions



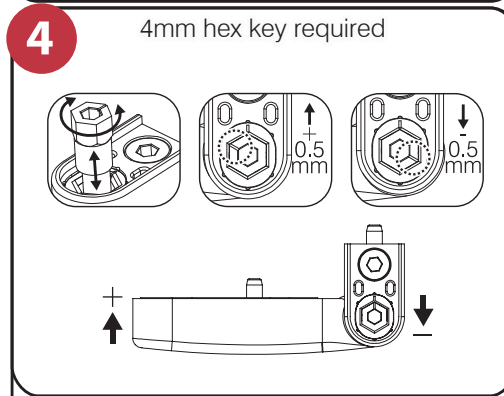
To release cover remove security screw from under the hinge and then insert 5mm blade screwdriver and twist. Use small blade screw driver to release cover caps.



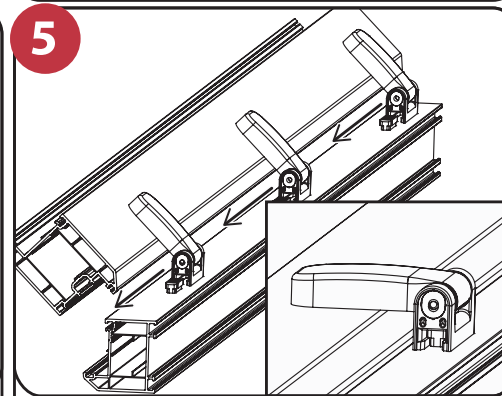
To adjust lateral position, first turn the unlock screw a 1/4 turn. Then use the adjustment screw to adjust up to 5mm in either direction. Finally tighten lock screw.



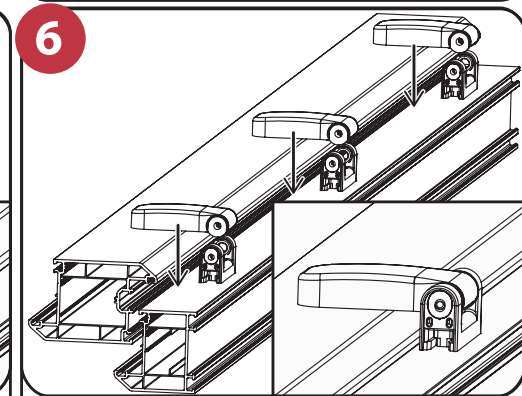
Height adjustment: Using a 4mm hex key turn the screw down to lift the hinge by up to 5mm.



Compression adjustment: Push out hinge pin and turn to alter compression.



The sash can be removed and fitted when in an open position by lifting or lowering the sash assembly onto the frame datum.



Alternatively the sash can be removed and fitted in the closed position by removing the security screws and hinges pins and then lifting the sash off the frame part.