

Company:

Account No.

Address:

..... Postcode:

Tel:

Fax:

Contact Name:

Email:

Page of

Quote	<input type="text"/>
Order	<input type="text"/>

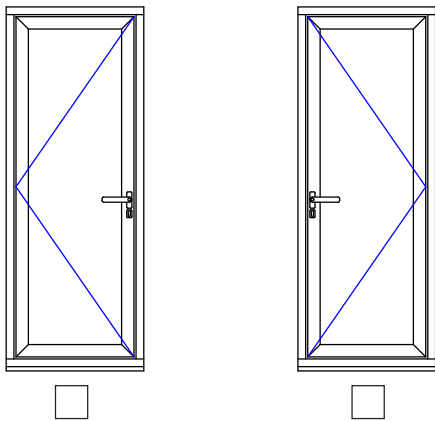
Requested Delivery Date:
(Lead time of 10 working days)

Order Reference:

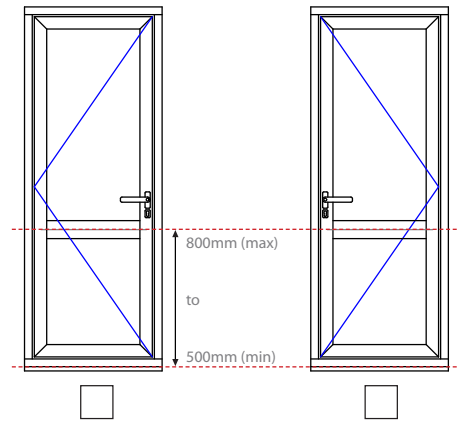
Signature:

AVAILABLE DOOR STYLES *(Viewed from outside. Please tick your choice.)*

RESIDENTIAL DOOR *(Viewed from outside)*

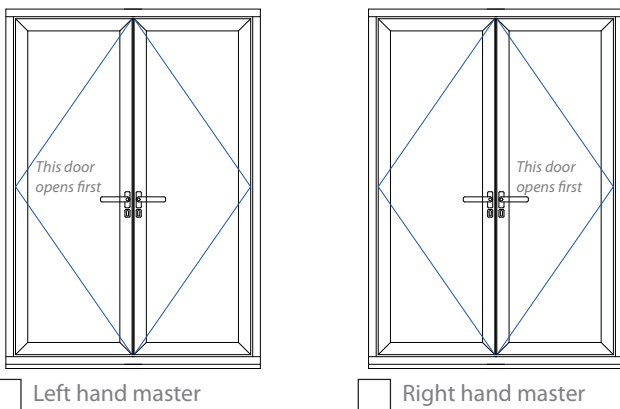


RESIDENTIAL DOOR with MIDRAIL *(Viewed from outside)*



Please note:
Triple glazing is not available with midrail options on either residential or French doors

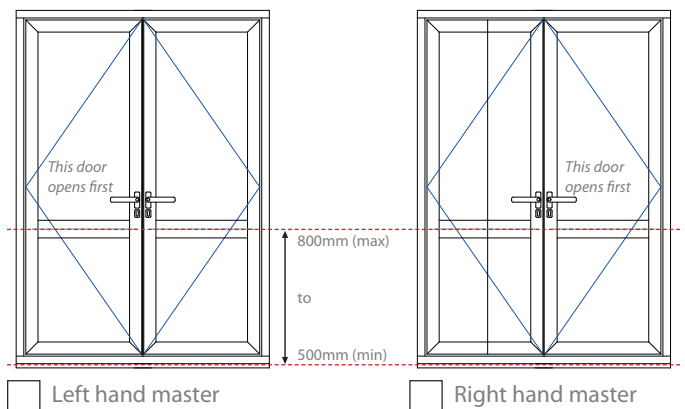
FRENCH DOOR *(Viewed from outside)*



Left hand master

Right hand master

FRENCH DOOR with MIDRAIL *(Viewed from outside)*



Left hand master

Right hand master

DOOR DIMENSIONS

Width: mm

Height inc. Sill: mm

Midrail Height: mm
(from underside of frame ignoring Sill option)

MIN/MAX FRAME SIZES

	Single	French
min width	700mm	1200mm
max width	1100mm	2200mm
min height	2000mm	2000mm
max height	2400mm	2400mm

OPENING IN/OUT

Open in Open out

SILL TYPE

Part M low threshold*

Part M low threshold ramp/cover*

Part M low threshold ramp/ramp*

Standard integrated 120mm sill (*Outward opening only*)

Frame + 150mm sill**

Frame only

*All Silver Anodised Aluminium.
**Part M low threshold is not compatible with 150mm sill.

EXTERNAL STYLING


Pencil Round

Chamfered

Squared

Decorative

*44mm Triple Glazed - Pencil Round only



FRAME COLOUR

External:	Internal:
<input type="checkbox"/> White	<input type="checkbox"/> White
<input type="checkbox"/> Cream	<input type="checkbox"/> Cream
<input type="checkbox"/> Grey	<input type="checkbox"/> Grey
<input type="checkbox"/> Black	<input type="checkbox"/> Black

HARDWARE

WarmCore

Silver

Black

Brushed Graphite

Magnets are colour matched.
Locks/keeps are Anodised Silver.
Roller units are Black Anodised powder finish.
Brushed Graphite uses Anodised Black hinges.

OPTIONAL LEVER/LEVER

Lever/Lever Handles

Silver

Black

Brushed Graphite

Only fill in this section if Lever/Lever style handles are required on traffic doors.

GLAZING BEAD

Squared/Squared - 28mm - 4 Sides

Squared/Chamfered - 28mm - Chamfered Verticals

Squared/Squared - 44mm - 4 Sides

GLAZING OPTIONS


(All Toughened)

Standard double glazed - 28mm (1.5 W/m²K U-value*)

Celsius double glazed - 28mm (1.4 W/m²K U-value*)

Triple glazed - Not available with midrail options - 44mm (1.0 W/m²K U-value*)

Add Secured by Design upgrade

 Standard double glazed (Laminated) - 28mm (1.5 W/m²K U-value*)

*Figures quoted are whole door U-values based on BFRC standard door

LETTERPLATE

Black

Silver Letterplate in midrail only.

Chrome



**LEVER/LEVER HANDLES
AVAILABLE
NOW**



No.1 for choice • No.1 for colour

LACERTA COURT, LETCHWORTH
HERTFORDSHIRE, SG6 1FD

TEL: 01462 489900

FAX: 01462 489909